



MASSAGE CHAIRS

firstclass SEATS



**Let your guests sit back & relax with
massage chairs by Smarte Carte.**

Shopping and entertainment centers can benefit from First Class Seats® massage chair seating by Smarte Carte®. Our chairs take advantage of space that might otherwise go unused, provide comfortable seating for guests and generate a new source of revenue for your facility.

In addition to providing a comfortable place to unwind, massage chairs become a new attraction for your guests.

Designed specifically for commercial use, our massage chairs provide an affordable alternative for back massage therapy, offering customers a deep-tissue Shiatsu massage for three or fifteen minutes.

Our massage chairs will improve your guest services program while providing a new source of revenue for your facility. And, a Smarte Carte massage chair service is managed and maintained by your on-site Smarte Carte team, a service provider you know and trust!

smartecarte

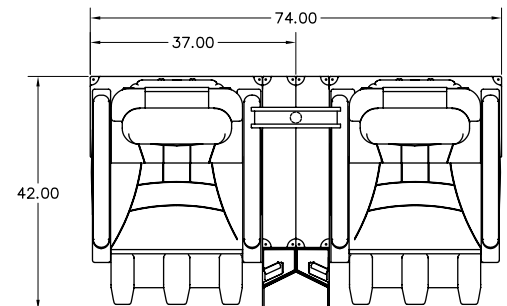
1-800-838-1176
www.smartecarte.com

MASSAGE CHAIRS

- Provides deep-tissue Shiatsu back massage therapy using kneading, tapping and rolling throughout the entire back.
- Customers can choose between a three or fifteen minute massage.
- Accepts \$1 and \$5 bills.
- Provides Instructions in English and Spanish.
- Smarte Carte's toll-free customer service number is visible from every chair.
- Heavy-duty motor, components and design are well suited for optimum performance in a commercial environment.
- Vault is constructed from heavy-gauge steel to maximize security.
- Chairs are upholstered with a soft and durable leather-like material.
- Parts are easily replaceable to keep the product fresh and inviting.
- Chairs can be configured to fit side-by-side or back-to-back to fit almost any space.
- Massage chairs work well in arcades, common areas, along escalators, catwalks or bridges.



Maximize the guest experience and generate revenue from unused space, with massage chairs from Smarte Carte.



SPECIFICATIONS

Single chair: Height: 47 inches
 Width: 37 inches
 Depth: 42 inches
 Weight: 100 lbs.

Power: 120VAC 60HZ; 240VAC 50HZ

Construction: Robust design, heavy-duty motor and components; black/gray leather-like upholstery.

smartecarte

1-800-838-1176

www.smartecarte.com

4455 White Bear Parkway
Saint Paul, Minnesota 55110-7641 USA