



1112 MALL SHOPPER



Provide shoppers the opportunity to shop longer with our large capacity shopping cart.

The Smarte Carte® Mall Shopper enhances customer satisfaction by giving your customers the freedom and security to enjoy their shopping experience. Research shows that shoppers with cart purchase more items and spend more money than shoppers without a cart.

Our Mall Shopper is made from weather and wear resistant stainless steel, and is designed to be functional, durable and attractive. Features include maximum package capacity

and a child seat which allows the carts to double as strollers.

Because they are easy to maneuver and can handle a variety of packages, our shopping carts become an integral part of a shopper's trip through your facility.

You will appreciate that the Mall Shopper is engineered to nest tightly to require only a minimal amount of floor space. And, because Smarte Carte shopping carts are rented from self-serve cart management units strategically placed in high demand areas, you can be sure a shopping cart is available for every customer who needs one.

smartecarte®

1-800-838-1176
www.smartecarte.com

1112 MALL SHOPPER

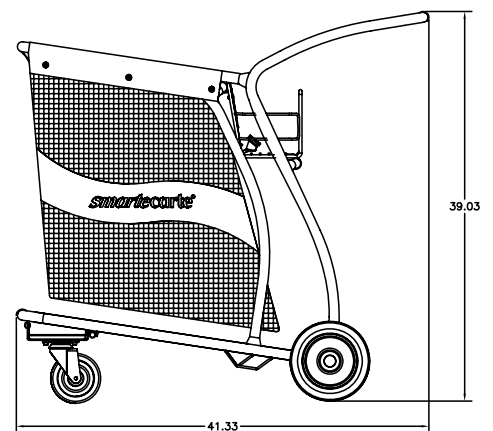
- Doubles as a stroller with a plastic-coated child seat and lap safety belt.
- Extra-large nylon parcel bag for storing packages.
- Designed to be pushed and easily maneuvered, even when fully loaded.
- Durable stainless steel frame will never chip and offers maximum corrosion resistance.
- Carts nest tightly to require minimal floor space.
- Patented three-wheel design provides smooth, quiet movement over all surfaces.
- Compatible with Smarte Carte cart management units.



Our shopping carts nest tightly and can be vended from our cart management units.

SPECIFICATIONS

Height:	39 inches
Length:	41.3 inches
Width:	26 inches
Weight:	42 pounds
Child Seat:	6 inches x 14 inches, includes child safety strap. Color: black
Package Capacity:	25 inches high x 15.75 inches wide x 18.5 inches deep
Nesting:	10.5 inches
Caster/Wheels:	One 5 inch diameter swivel caster. Two 8 inch diameter rear wheels.
Frame:	1 inch tubular stainless steel, with bead-blasted finish.



smartecarte®

1-800-838-1176

www.smartecarte.com

4455 White Bear Parkway
Saint Paul, Minnesota 55110-7641 USA